

COMFORT CIRCLE | DINING TABLE WITH EXTENSION

Designed by Søren Ravn Christensen



DIMENSIONS (H x W x D)

74.7 x 132 x 132 cm / 29.4 x 52 x 52" (nonextended)
74.7 x 202 x 132 cm / 29.4 x 79.5 x 52" (extended)



MATERIAL

Solid oak, MDF and steel



CONSTRUCTION

Top: Oak and MDF. Clear top coat wood finish.

Legs: Solid oak and steel. Legs attached with bolts.



WEIGHT

Box 1: 55 kg / 121.3 lb

Box 2: 10 kg / 22 lb



WEIGHT INCL. PACKAGING

Box 1: 72 kg / 158.7 lb

Box 2: 12.5 kg / 27.6 lb



PACKAGING DIMENSIONS (L x W x H)

Box 1: 176 x 176 x 18 cm / 69.3 x 69.3 x 7.1"

Box 2: 78 x 36.5 x 15 cm / 31 x 14.4 x 5.9"



ASSEMBLY TIME

20 min - video guide at umage.com



MEDIA KIT

Photos and press material

Download at umage.presscloud.com



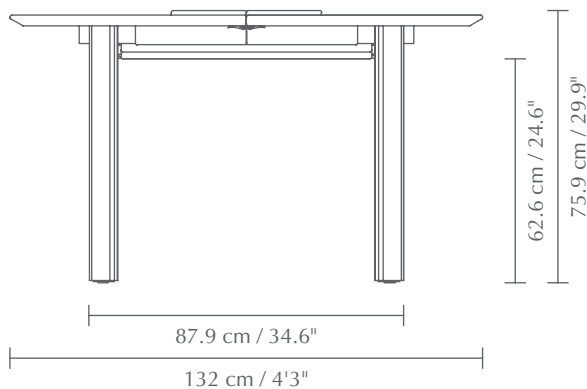
ORDERING INFORMATION

Rippled (legs) oak EU/UK/US/APAC #5657C5657-1

Rippled (legs) dark oak EU/UK/US/APAC #5857C5857-1

Smooth (legs) oak EU/UK/US/APAC #5657C5657-5

Smooth (legs) dark oak EU/UK/US/APAC #5857C5856-2



Colour variations



oak

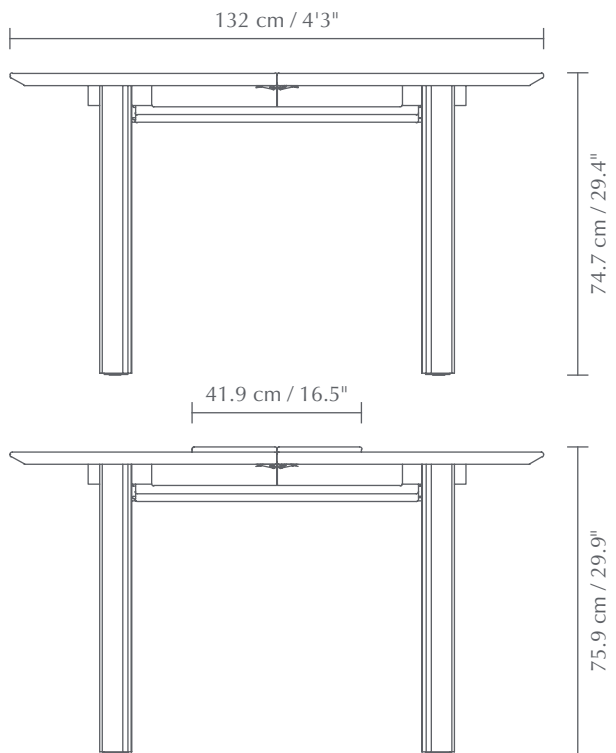


dark oak



COMFORT CIRCLE | DINING TABLE WITH EXTENSION

Designed by Søren Ravn Christensen



Comfort Circle is an extendable table with space for up to ten people. Beneath the table, the extension plates are hidden for you to easily add to the table when more space is needed.

The middle part of the table can be elevated – both when extended and when not extended – accentuating the versatility of the table. Lift the centre to enhance the decorations and flowers on the table or as a space to keep your food. And if you wish to add a tablecloth, you can easily align the centre part with the rest of the table.

The flexible design and the subtle lightness of the extendable Comfort Circle make the table a great solution for smaller spaces – but will also stand out in larger dining rooms.

Available in oak and dark oak with smooth or rippled legs.

Find more info on our website umage.com

